

Schöck Isokorb® supplementary type ZXT



Schöck Isokorb® supplementary type ZXT

Schöck Isokorb® supplementary type ZXT

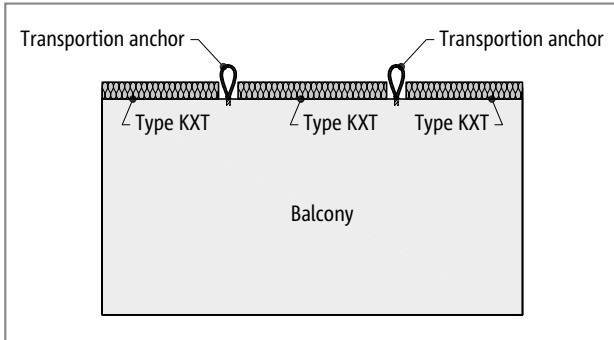
Suitable as insulation connecting pieces for various installation situations and fire protection requirements. The Schöck Isokorb® supplementary type ZXT transmits no forces.

ZXT

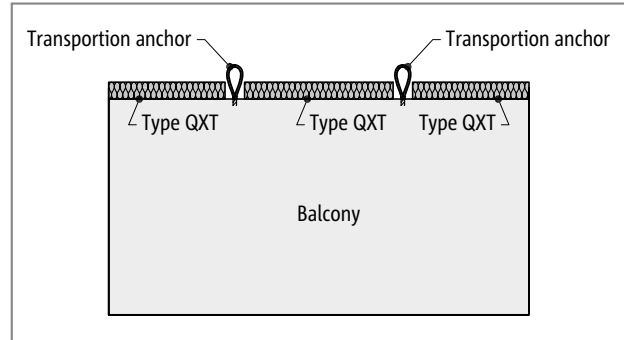
Reinforced concrete/Reinforced
concrete

Element arrangement

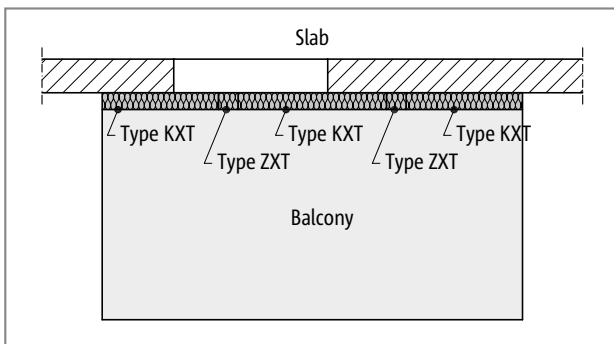
ZXT



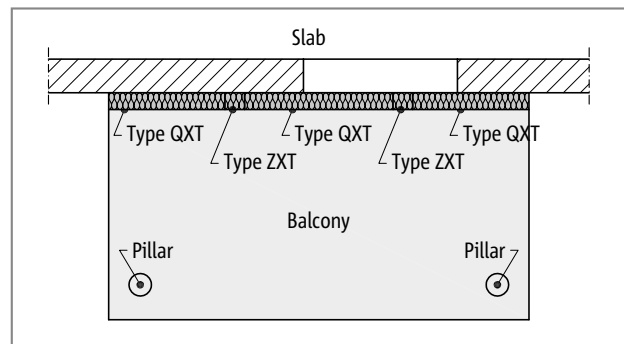
Schöck Isokorb® type KXT: Element balcony with transport anchors; insulation type ZXT can be inserted on-site



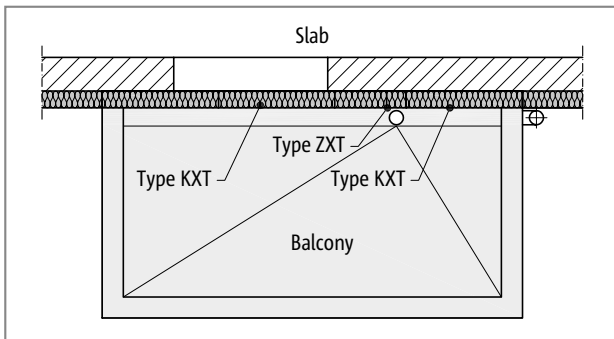
Schöck Isokorb® type QXT: Element balcony with transport anchors; insulation type ZXT can be inserted on-site



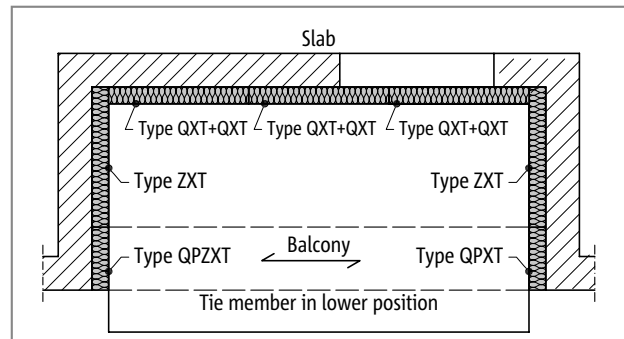
Schöck Isokorb® type ZXT, KXT: balcony freely projecting



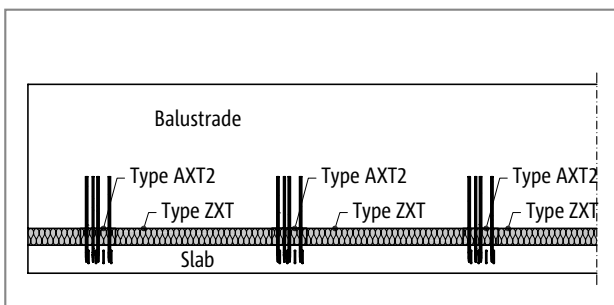
Schöck Isokorb® type ZXT, QXT: balcony with column support



Schöck Isokorb® type ZXT, KXT: Recess for drainage with Schöck Isokorb® type ZXT



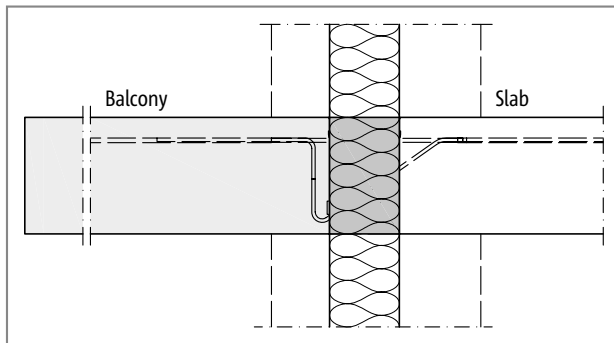
Schöck Isokorb® type ZXT, QXT+QXT, QPXT, QPZXT: Three-sided supported recessed balcony with tie



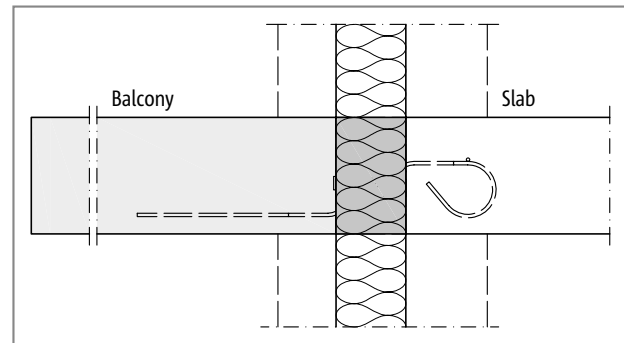
Schöck Isokorb® type AXT, ZXT: Balustrade (type AXT2)

Reinforced concrete/Reinforced concrete

Installation cross sections | Product selection | Type designations



Schöck Isokorb® type ZXT, KXT: indirect support, non-load-bearing cavity masonry



Schöck Isokorb® type ZXT, QXT: indirect support, non-load-bearing cavity masonry

Schöck Isokorb® supplementary type ZXT variants

The configuration of the Schöck Isokorb® supplementary type ZXT can be varied as follows:

- ▶ Height:
H = 160 - 250 mm
- ▶ Length:
L = 1000 mm (L = 100 mm, L = 150 mm on request)
- ▶ Fire resistance class
RO: Standard
BS1: Fire protection slab top and bottom, upper fire protection slab without projection with rail and fire protection band
BS2: Fire protection slab top and bottom, upper fire protection slab with projection, both sides 10 mm

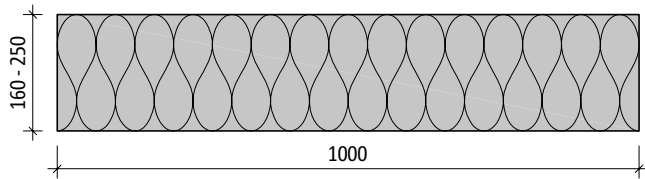
Type designations in planning documents

Type
Isokorb® height
Isokorb®-length
Fire protection
ZXT-H180-L1000-BS1

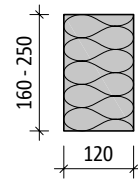
ZXT

Reinforced concrete/Reinforced
concrete

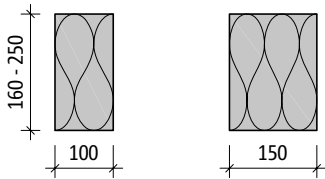
Product description



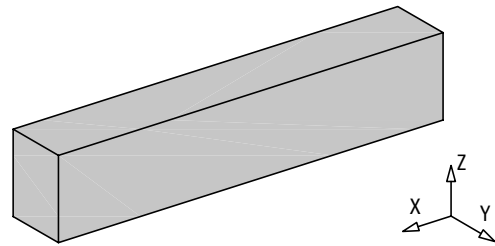
Schöck Isokorb® type ZXT-L1000: Product view



Schöck Isokorb® type ZXT: Product section



Schöck Isokorb® type ZXT-L100, ZXT-L150: Product view



Schöck Isokorb® type ZXT: 3D-model

i Product information

- ▶ The Schöck Isokorb® type ZXT is supplied in 1000 mm lengths (100 mm and 150 mm lengths on request)
- ▶ The Schöck Isokorb® type can, as necessary, be shortened to the desired length.
- ▶ Download further product plan views and cross-sections at www.schoeck.co.uk/download

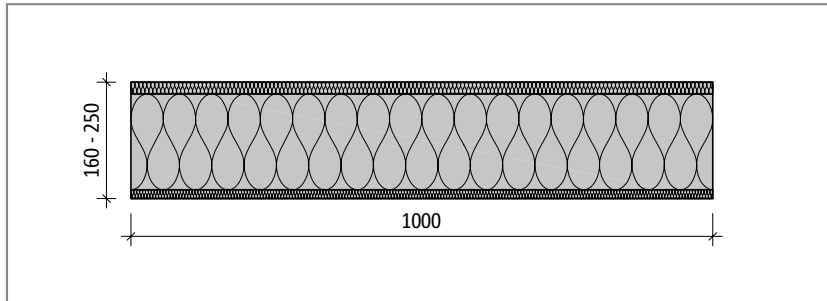
i Notes on design

- ▶ Edge and centre distances of the adjacent Schöck Isokorb® types are to be noted.
- ▶ With the design of a linear connection it is to be noted that the employment of the Schöck Isokorb® supplementary type ZXT can reduce the design values (e.g. Schöck Isokorb® type with $L = 1.0$ m and Schöck Isokorb® supplementary type ZXT with $L = 0.1$ m in continuous transition means a reduction of m_{Rd} of the linear connection of ca. 9%).

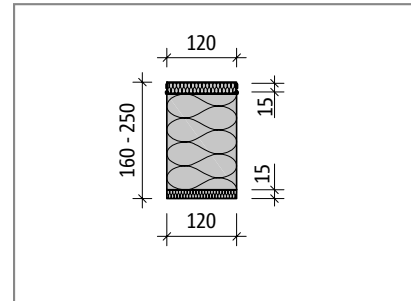
Fire protection configuration

Schöck Isokorb® supplementary type ZXT-BS1

Fire protection slab top and bottom, without projection



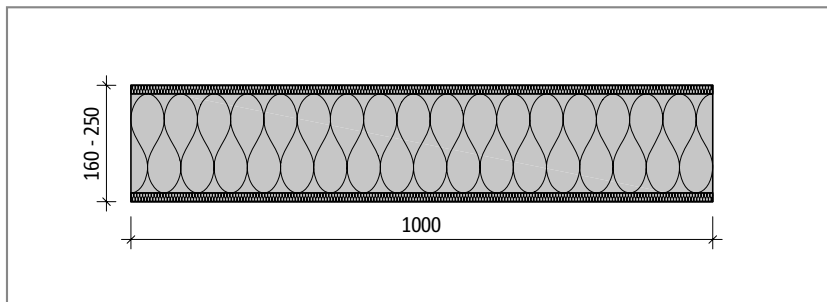
Schöck Isokorb® type ZXT-BS1: Product view; fire protection slab top and bottom flush



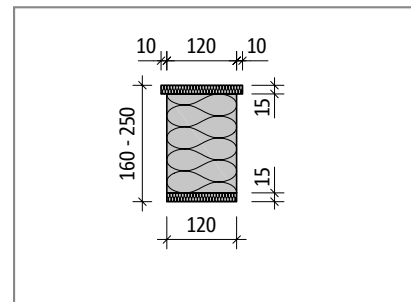
Schöck Isokorb® type ZXT-BS1: Product section

Schöck Isokorb® supplementary type ZXT-BS2

Fire protection slab top and bottom, upper fire protection slab with projection, both sides 10 mm



Schöck Isokorb® type ZXT-BS2: Product view; fire protection slab top and bottom



Schöck Isokorb® type ZXT-BS2: Product section

i Fire protection

- ▶ The Schöck Isokorb® type ZXT-BS1 is suitable for employment with Schöck Isokorb® type KXT and AXT.
- ▶ The Schöck Isokorb® type ZXT-BS2 is suitable for employment with Schöck Isokorb® type KXT-HV, KXT-BH, KXT-WU, KXT-WO, QXT, QPXT, DXT, FXT and OXT.
- ▶ The Schöck Isokorb® type ZXT-BS1 can be employed retrospectively (e.g transport anchor holes with prefabricated balconies), as fire protection slabs are without projection.
- ▶ The fire protection class of the Schöck Isokorb® supplementary type ZXT corresponds with the maximum fire protection class of the connected, load-bearing Schöck Isokorb® type (e.g. KXT→REI120 or AXT→R90).

ZXT

Reinforced concrete/Reinforced concrete

Check list

- With a linear connection in combination with Schöck Isokorb® of length 1 m, has the reduction of the design values of the linear connection been taken into account?
- Are the requirements with regard to fire protection explained and is the appropriate addendum entered in the Isokorb® type description in the implementation plans?

ZXT

Reinforced concrete/Reinforced
concrete