

Fire protection



Fire protection configuration

Schöck Isokorb® XT fire protection configuration

Each Schöck Isokorb®XT is also available in a fire protection configuration (designation e.g. Schöck Isokorb® type KXT50-CV35-H180-REI120).

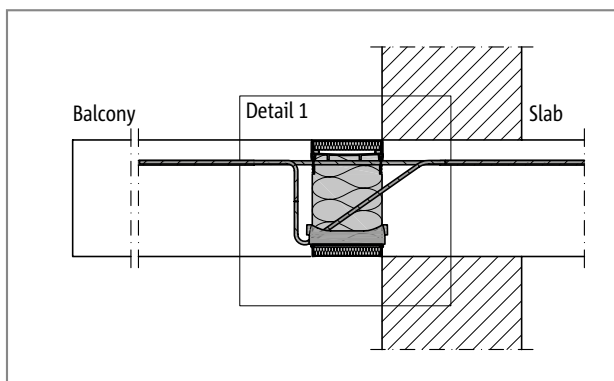
To this end, fire protection slabs are attached on the upper and lower sides of the Schöck Isokorb® (see figure). Prerequisite for the fire protection classification of the balcony connection is that the balcony slab and the floor slab also meet the requirements of the necessary fire resistance class according to BS EN 1992-1-1 and -2 (EC 2). If, in addition to the load bearing capacity (R) in the case of fire, the integrity (E) and the insulation (I) are also required, block outs between the Schöck Isokorb® XT are to be closed in the fire protection configuration, for example using the Schöck Isokorb® type ZXT.

The Schöck Isokorb®XT has been checked as enclosing on the basis of floors acc. to BS EN 1365-2. According to BS EN13501-2 only the requirement R (load bearing capacity in cases of fire) is placed on balconies. Basis for this testing is BS EN 1365-5. In addition, for fire protection of the Schöck Isokorb®, testing continues to be carried on the basis of floors acc. to BS EN 1365-2. From this results the classification REI.

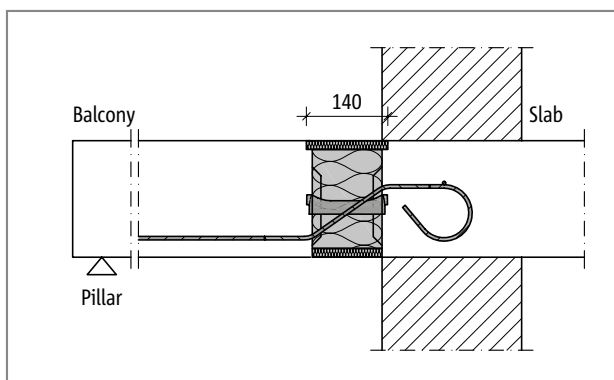
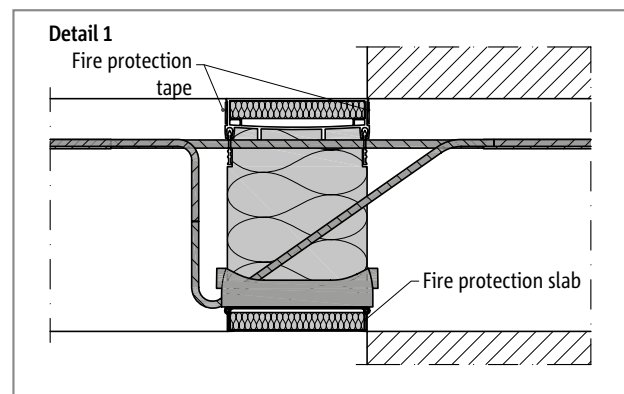
(R - load bearing capacity, E - integrity, I - insulation)

With the Schöck Isokorb®, the requirements from the fire tests are implemented using flush integrated lateral fire protection tapes or 10 mm overlaying fire protection slabs. The integrated fire protection tapes, made from material which forms an insulation layer, and the respectively 10 mm overlaying fire protection slabs on the upper side of the Schöck Isokorb® XT ensure that the joints, which open under the effect of fire, are closed. Thus the integrity and the insulation are ensured in case of fire (see following figures).

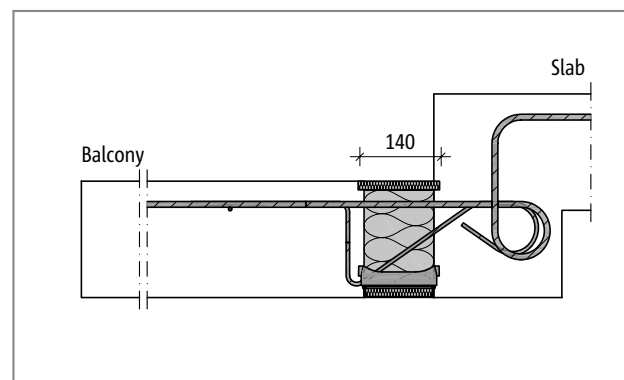
The fire protection configuration of the respective Schöck Isokorb® type is presented in the product chapter title "Fire protection configuration".



Schöck Isokorb® type KXT with REI120: Fire protection slabs top and bottom; laterally integrated fire protection bands



Schöck Isokorb® type QXT with REI120: Fire protection slab top projecting laterally



Schöck Isokorb® type KXT-HV with REI120: Fire protection slab top projecting laterally

i Fire protection

- ▶ For the insulation between the Schöck Isokorb®, Schöck Isokorb® supplementary type ZXT (see p. 169) is available in R0 or as fire protection configuration to REI120. The rating of the Schöck Isokorb® used is relevant for the fire protection of the connection.

Fire protection classes REI120, R90

The reaction to fire of structural components is classified on the basis of the European Standard BS EN 13501-2.

Schöck Isokorb® type	KXT, KXT-HV, KXT-BH, KXT-WO, KXT-WU, QXT, QXT+QXT, QXTZ, QPXT, QPXT+QPXT, QPZXT, HPXT, EQXT, DXT, EXT	FXT, AXT, OXT SXT, WXT
Fire protection class	REI120	R90